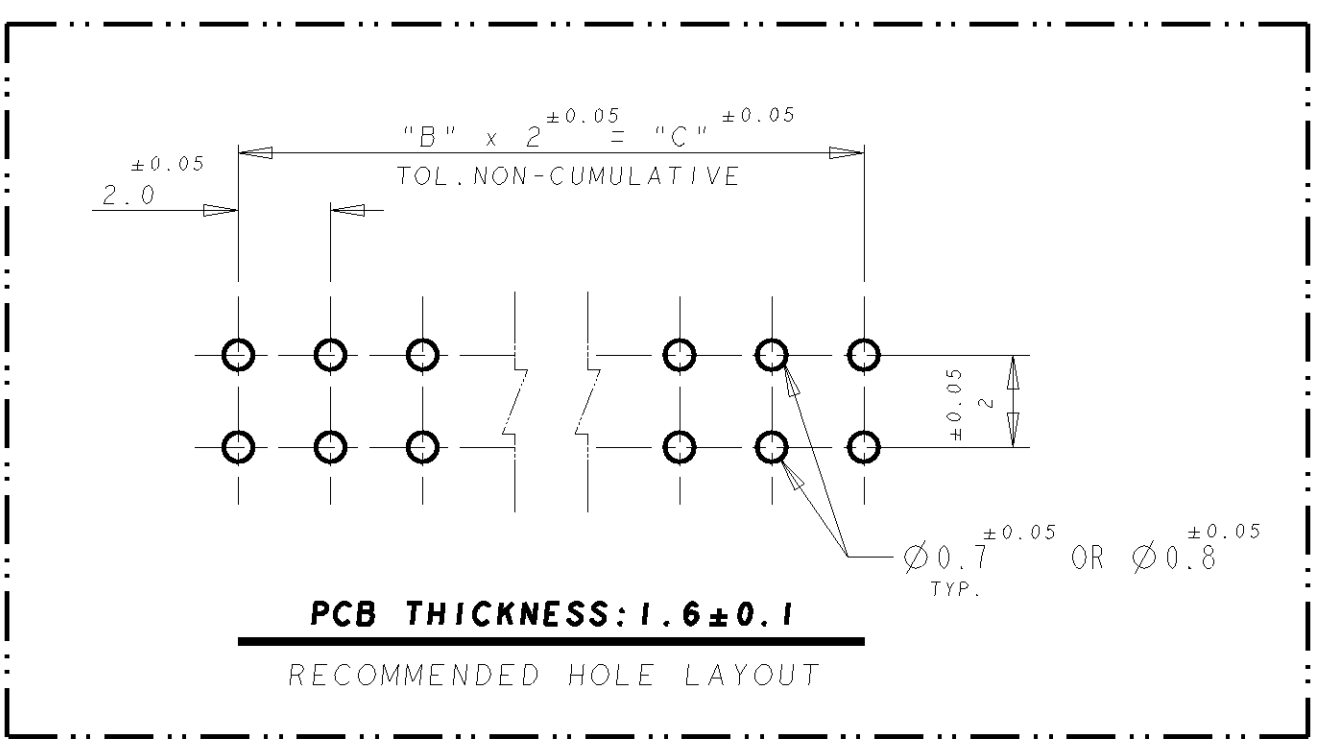
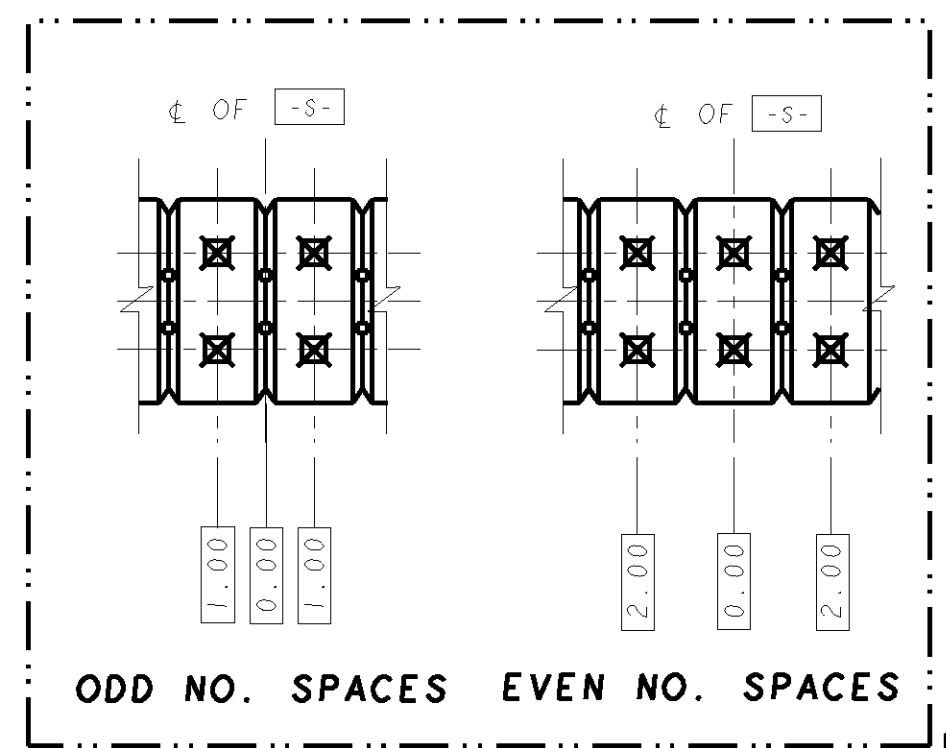
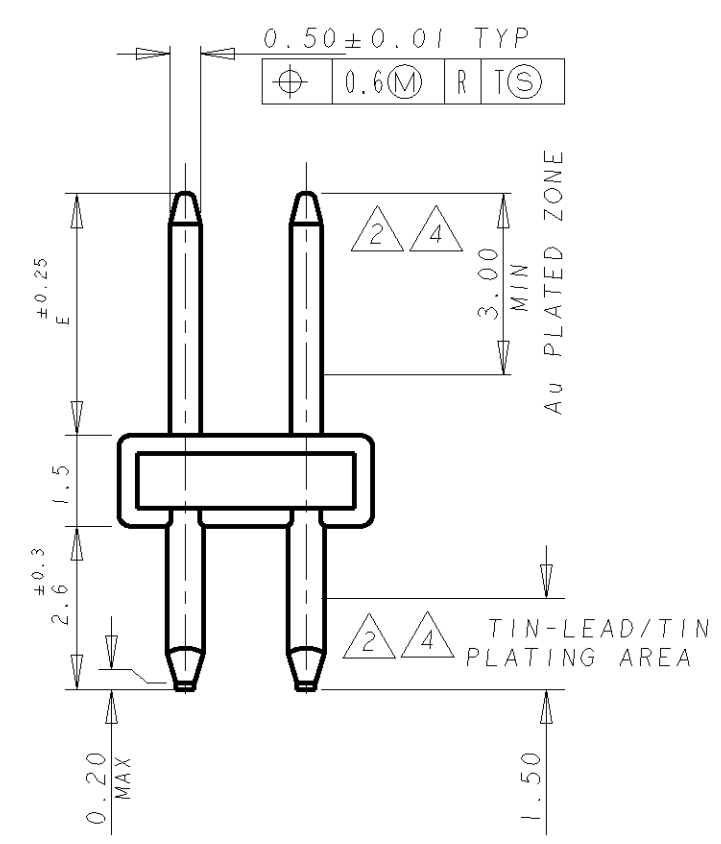
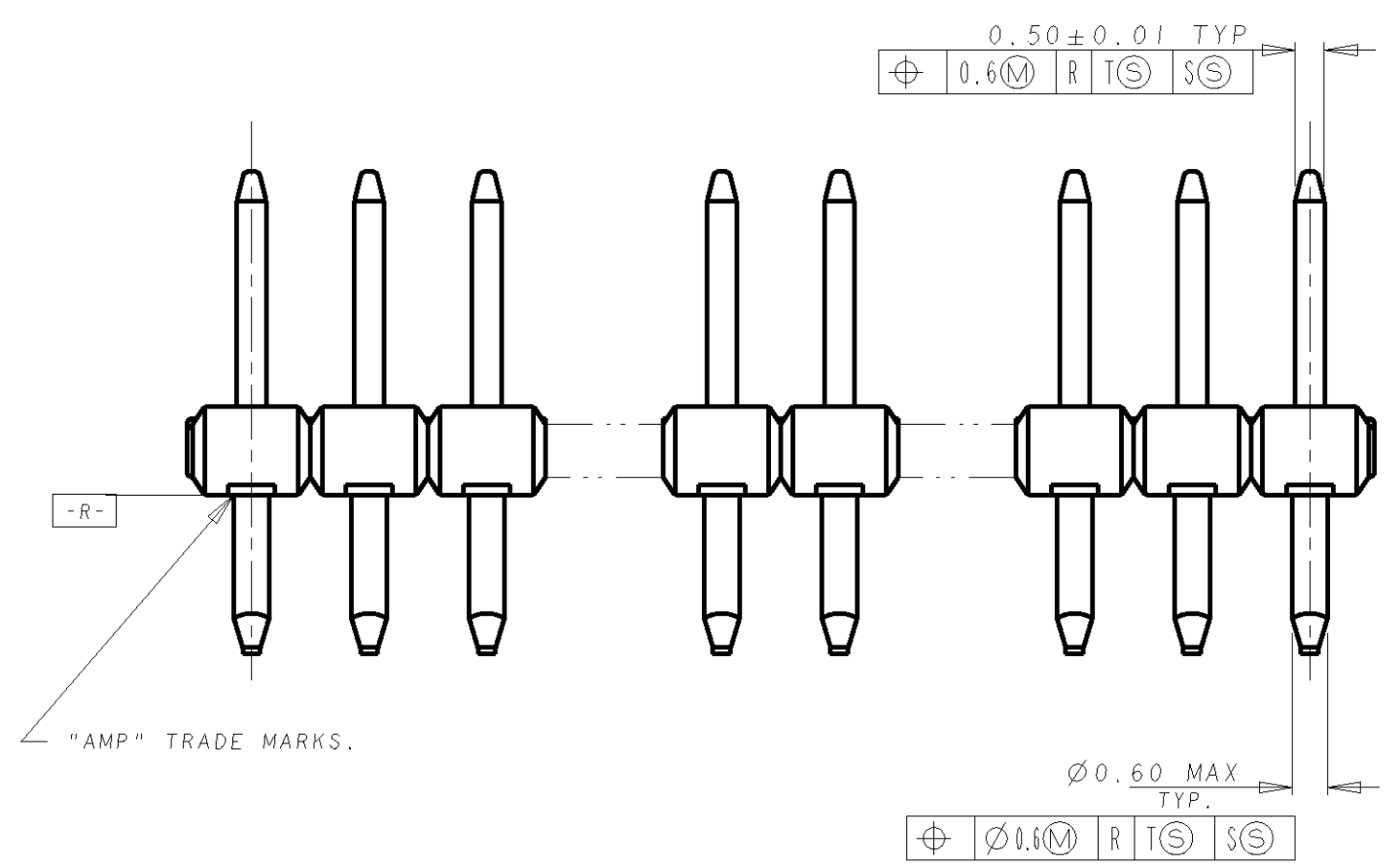
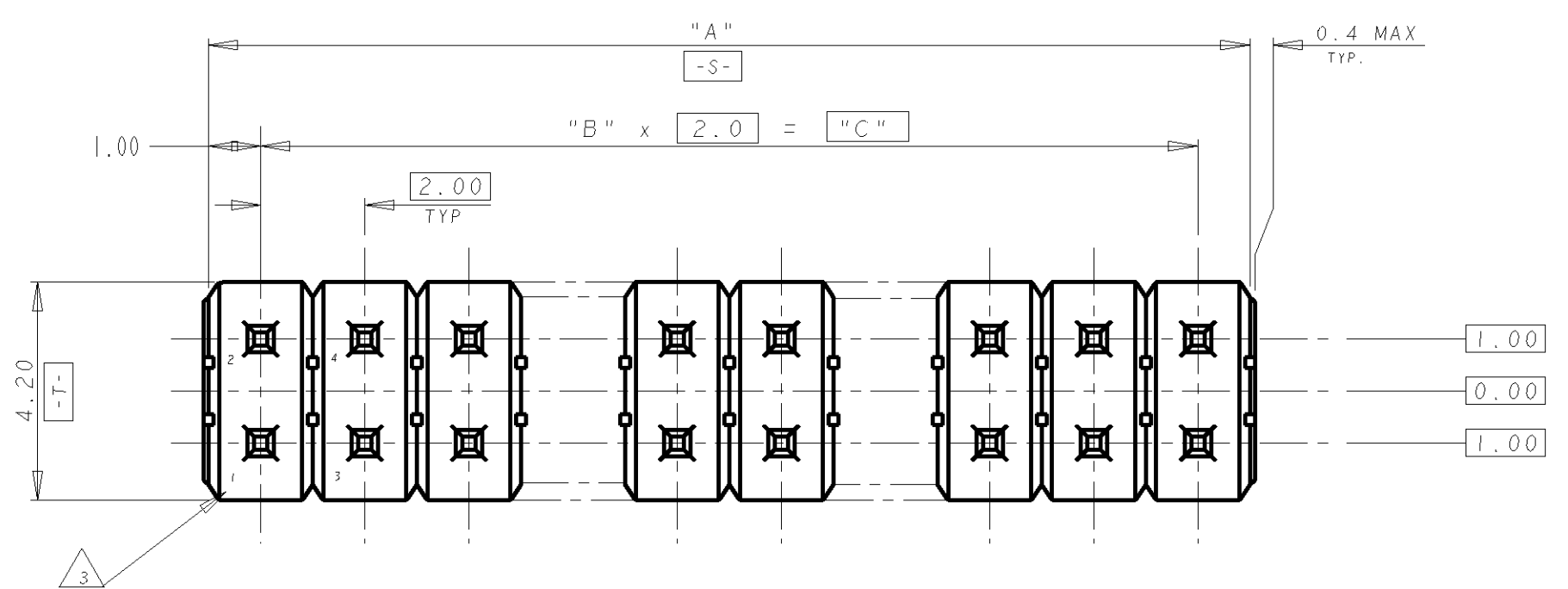


THIS DRAWING IS UNPUBLISHED. RELEASED FOR PUBLICATION .19
 BY AMP INCORPORATED. ALL RIGHTS RESERVED.

LOC	DIST	REVISIONS			
P	LTR	DESCRIPTION	DATE	DWN	APVD
DY	-				
	01	REVISED ECR-06-029668	19DEC2006	YKW	LSF

- NOTES:
- 1 MATERIAL HOUSING: THERMOPLASTIC, UL 94V-0.
POST : BRASS
 - 2 FINISH CONTACT AREA, "D" MIN Au
ON NICKEL 0.0013 MIN ALL OVER
POST TINE: 0.002 MIN MATTE TIN
 - 3 POST POSITION NUMBERS FOR REFERENCE ONLY.



NIL	4.00	0.0002	4	2	6	6	5-	-8
17	4.00	0.00076	24	12	26	26	5-	-7
9, 10	5.00	0.00076	24	12	26	26	5-	-6
1, 14		0.00076	14	7	16	16	5-	-5
1, 12		0.00076	10	5	12	12	5-	-4
NIL		0.00076	--	--	2	2	5-	-3
25		0.00076	48	24	50	50	5-	-2
25		0.0002	48	24	50	50	5-	-1
			48	24	50	50	4-	-8
			46	23	48	48	4-	-7
			44	22	46	46	4-	-6
			42	21	44	44	4-	-5
		0.00076	34	17	36	36	4-	-1
			48	24	50	50	3-	-9
			42	21	44	44	3-	-6
		0.0002	34	17	36	36	3-	-2
			28	14	30	30	2-	-9
			22	11	24	24	2-	-6
			20	10	22	22	2-	-5
			18	9	20	20	2-	-4
			16	8	18	18	2-	-3
			14	7	16	16	2-	-2
			12	6	14	14	2-	-1
			10	5	12	12	2-	-0
			8	4	10	10	1-	-9
			6	3	8	8	1-	-8
			4	2	6	6	1-	-7
		0.00076	2	1	4	4	1-	-6
			30	15	32	32	1-	-5
			28	14	30	30	1-	-4
			26	13	28	28	1-	-3
			22	11	24	24	1-	-1
			20	10	22	22	1-	-0
			18	9	20	20		-9
			16	8	18	18		-8
			14	7	16	16		-7
			12	6	14	14		-6
			10	5	12	12		-5
			8	4	10	10		-4
			6	3	8	8		-3
			2	1	4	4		-1
FINISH	PIN OMITTED	"E"	"D"	"C"	"B" SPACES	"A"	POS	P/N
								5176264-1

THIS DRAWING IS A CONTROLLED DOCUMENT FOR AMP INCORPORATED. IT IS SUBJECT TO CHANGE AND THE CONTROLLING ENGINEERING ORGANIZATION SHOULD BE CONTACTED FOR THE LATEST REVISION.

DWN WYLEE 07MAR2005
 CHK VINCENT TAN
 APVD SE LEONG

tyco Electronics Tyco Electronics Singapore Pte. Ltd.

NAME AMPMODU 2mm PITCH POST HDR, VERTICAL MOUNT TYPE

SIZE A2 CAGE CODE 00779 DRAWING NO. 5176264

SCALE 8:1 SHEET 1 OF 1 REV 01

GENERAL TOLERANCE
 0 <= 10 : ±0.2
 10 <= 30 : ±0.25
 30 <= 100 : ±0.3
 ANGLES : ±3°

MATERIAL 1 FINISH 2

TOLERANCES UNLESS OTHERWISE SPECIFIED:
 0 PLC ±
 1 PLC ±
 2 PLC ±
 3 PLC ±
 4 PLC ±
 ANGLES ±
 FINISH 2

PRODUCT SPEC -
 APPLICATION SPEC -
 WEIGHT -
 CUSTOMER DRAWING